



NABTECH
ENGINEERING

QUALITY
ENGINEERING PRODUCTS

Casting, Forging, Precision Machining

www.nabtechengineering.com



Know About **NabTech Engineering**



Industry experience enables us to anticipate and deliver customer needs as per their expectations and industry standards. •Our core principles include high quality, punctuality, access to resources, and transparency.

Our office in Ireland and manufacturing unit in Pune, India.



BEST-IN-CLASS CASTING SERVICES

MANUFACTURING CAPABILITIES:

CASTING GRADES

Grey Cast Iron

EN-GJL-150 To EN-GJL-350
FG150 To FG300
Class 20 To Class 60
ASTM 48 CL 20 ~ CL 30

Ductile Iron (Nodular Iron)

EN-GJS-350-22 To EN-GJS-800-2
SG350/22 To SG 800/2
Grade 60/40/18 To Grade 120/90/02
ASTM A536-6545-12 ~ 100-70-03

CASTING DIMENSIONS

Green Sand Casting

Maximum 610 mm X 710 mm X 500 mm
(24" x 28" x 500") DiSa High Pressure
Moulding

CASTING WEIGHTS

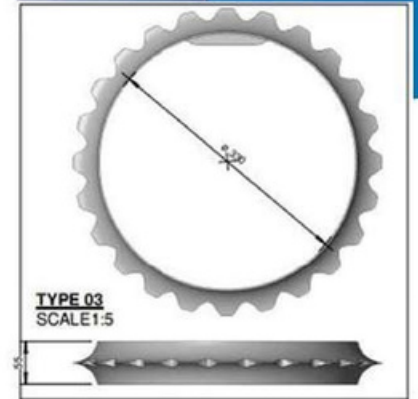
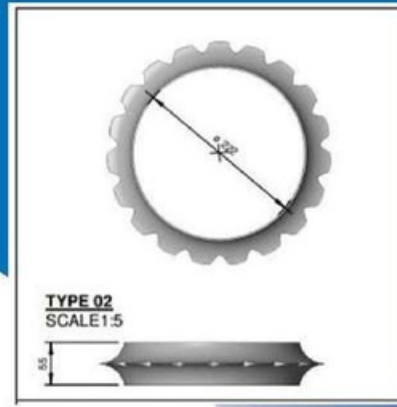
Green Sand Casting

1 Kg to 600 Kg



CAST IRON RINGS

All types of machines for light and heavy Sheet Metal / Fabricated parts which include Power Presses, Plasma Cutting, Laser Cutting, Shearing Presses, Break Presses, MIG Welding



Our Casting Products



QUALITY FORGING SERVICES

FORGING FACILITY:

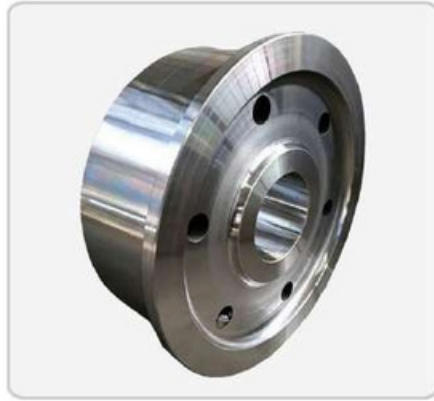
Drop Forging Hammer	1.25 TON
Drop Forging Hammer	1.5 TON
Drop Forging Hammer	2 TON
Drop Forging Hammer	3 TON
Forging Press	2500 TON
Screw Forging Press	

We have belt drop hammers to forge parts weighing 0.700 Kg to 60.0 Kg*

*Depending upon shape criticality.



OUR FORGING PRODUCTS





PRECISION MACHINING

At NabTech Engineering, you will find a wide range of precision CNC machining services, an experienced team of experts, and extensive experience of how to best approach different projects using 3-, 4-, and 5-axis CNC machines.



OUR EXPERT ENGINEERING SERVICES

We provide a wide range of services from concept design, design support, design validation and an array of PLM solutions. We have made significant investments in IT platforms that run PLM suites for our customers and we have a large team of engineers working globally on various projects using various software and tools.

Our mechanical engineers are cross-trained to execute programs from rule-based engineering data processing and to a full vehicle teardown.



WHY CHOOSE NABTECH

We are a team of highly experienced and qualified engineers of having experience of more than 12 years helping Tractor and Agriculture equipment manufacturer in achieving their target of cost reduction through Design Outsourcing, optimization and contract manufacturing of components in India, China and Turkey.

CONTACT US

-  +353 94 9357009 | +353 892532612
-  sales@nabtechengineering.com
-  www.nabtechengineering.com
www.castparts.ie



Carrowreaghmony, Ballyglass,
Co. Mayo, F12 YF30, Ireland

